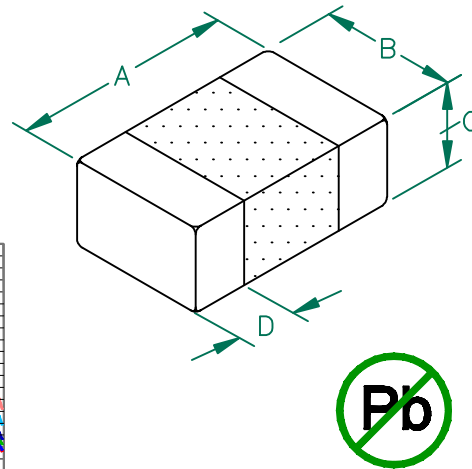


LI0805G201R-10

UNCONTROLLED DOCUMENT

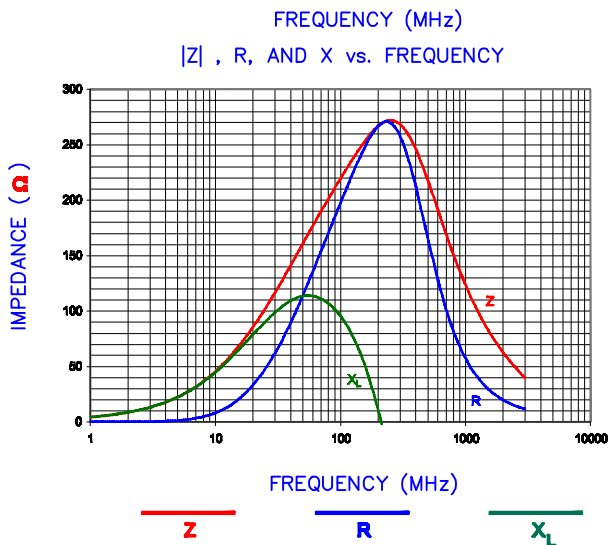
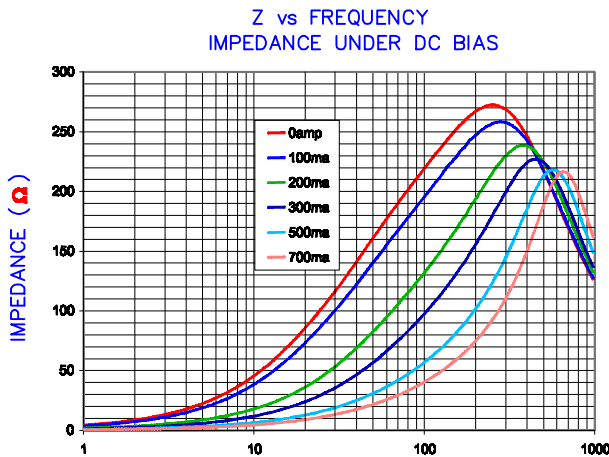
PHYSICAL DIMENSIONS:

A	2.00 [.079]	+ 0.20 [.008]
B	1.25 [.049]	+ 0.20 [.008]
C	0.90 [.035]	+ 0.20 [.008]
D	0.51 [.020]	+ 0.25 [.010]

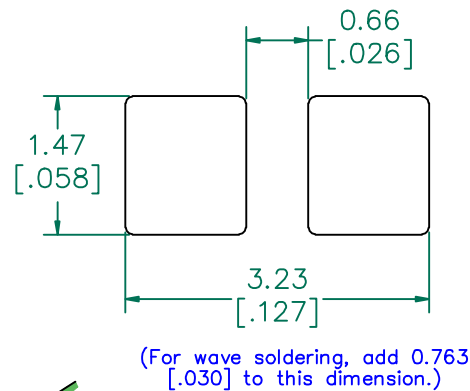


ELECTRICAL CHARACTERISTICS:			
Z @ 100MHz (Ω)	DCR (Ω)	Rated Current	
Nominal	200		
Minimum	150		
Maximum	250	0.3	700 mA

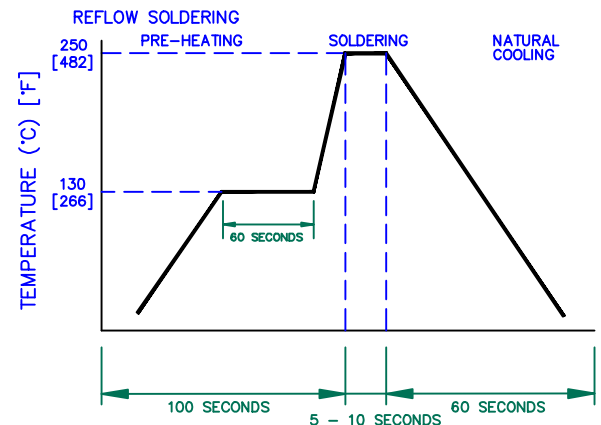
- NOTES: UNLESS OTHERWISE SPECIFIED
1. TAPED AND REELED per CURRENT EIA SPECIFICATIONS 7" REELS, 4000 PCS/REEL, EMBOSSED PLASTIC TAPE.
 2. COMPONENTS SHOULD BE ADEQUATELY PREHEATED BEFORE SOLDERING.
 3. TERMINATION FINISH IS 100% TIN.



LAND PATTERNS FOR REFLOW SOLDERING



RECOMMENDED SOLDERING CONDITIONS



DIMENSIONS ARE IN mm [INCHES].				THIS DOCUMENT CONTAINS INFORMATION WHICH IS PROPRIETARY AND CONFIDENTIAL TO STEWARD. NO PRODUCTION OR PUBLICATION OF THIS DOCUMENT IN WHOLE OR IN PART SHALL BE MADE WITHOUT WRITTEN AUTHORIZATION FROM STEWARD.			
				Steward			
				PROJECT/PART NUMBER:	REV	PART TYPE:	DRAWN BY:
C	ADD ROHS SYMBOL MODIFY NOTE 1	11/28/06	JRK	LI0805G201R-10	C	CO-FIRE	JRK
B	CORRECT TEST REF #	01/03/06	JRK	DATE: 04/19/04	SCALE: NTS	SHEET: 2 of 2	
A	ORIGINAL DRAFT	04/19/04	JRK	CAD #	TOOL # -		
REV	DESCRIPTION	DATE	INT	LI0805G201R-10-C			